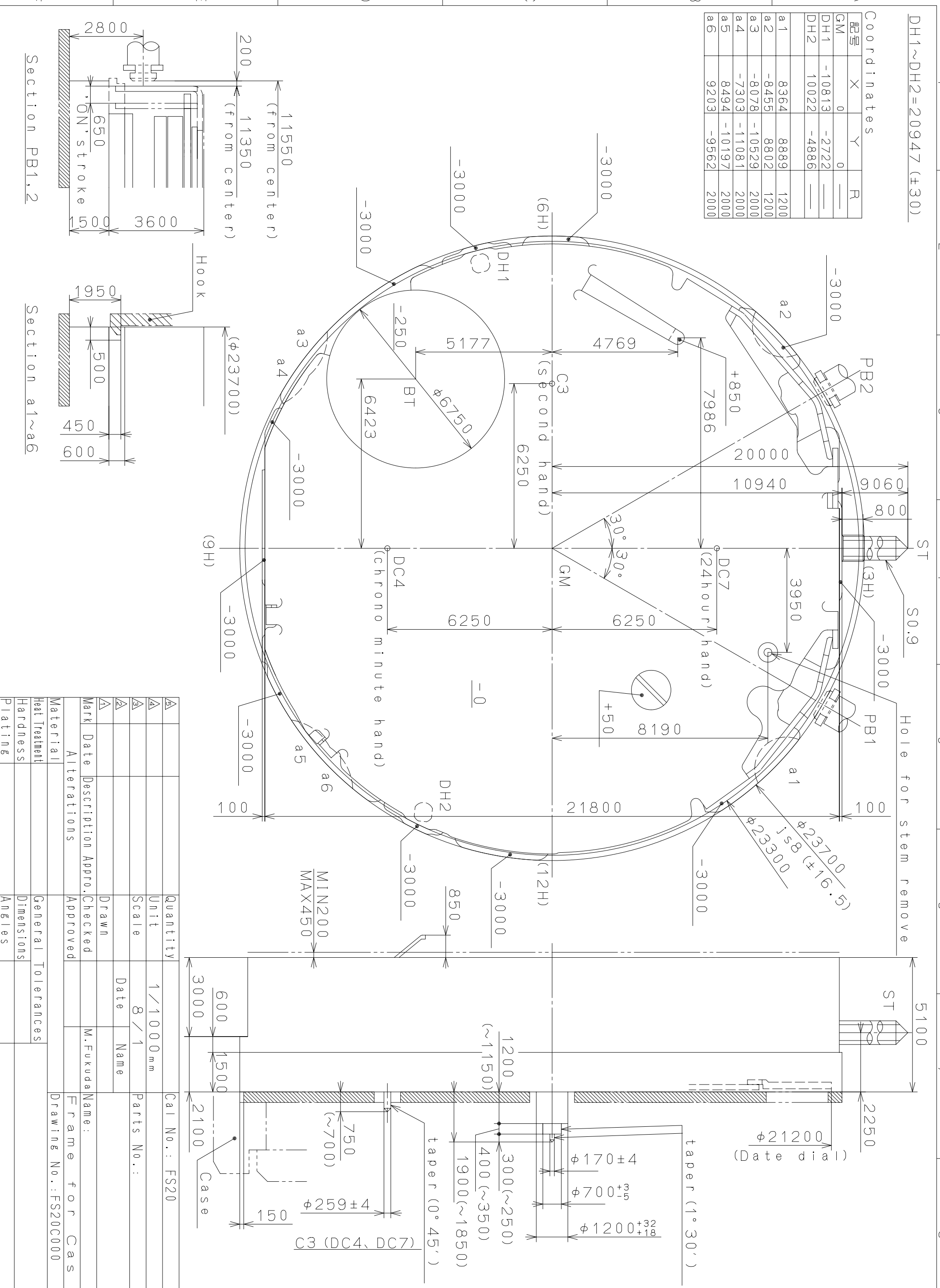


This drawing is provisional and subject to our reconfirmation and/or revision without notice.

Coordinates

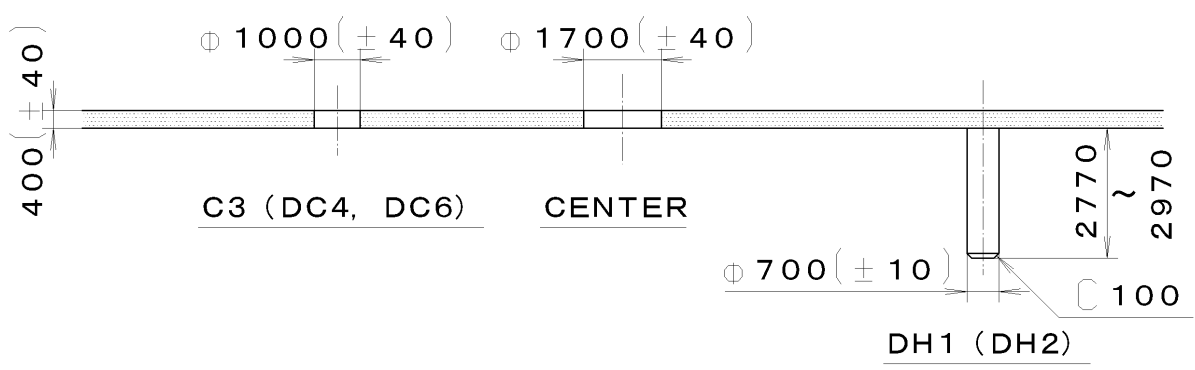
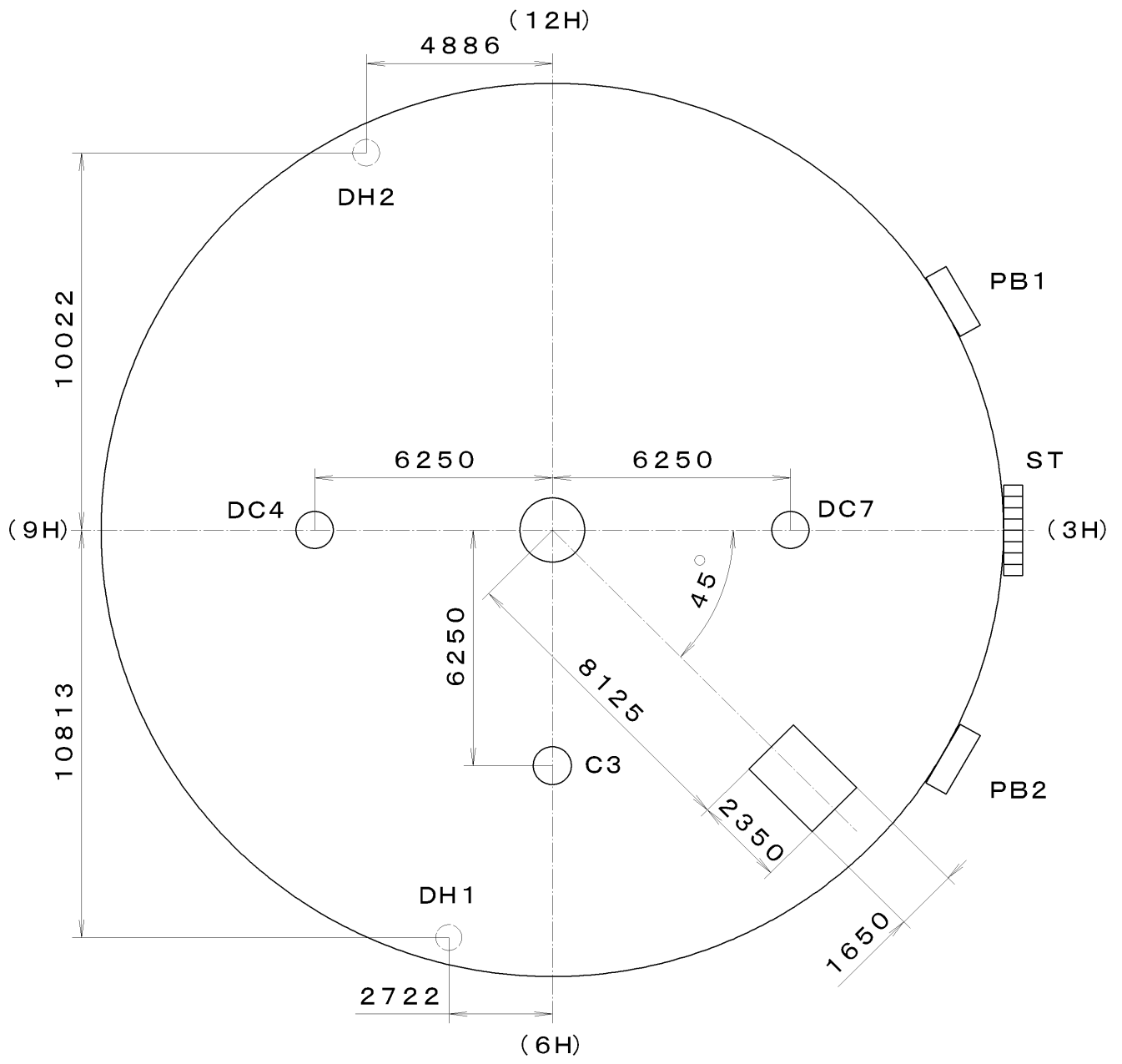
記号	X	Y	R
GM	0	0	—
DH1	-10813	-2722	—
DH2	10022	-4886	—
a1	8364	8889	1200
a2	-8455	8802	1200
a3	-8078	-10529	2000
a4	-7303	-11081	2000
a5	8494	-10197	2000
a6	9203	-9562	2000



△	Quantity	1 / 1000 mm	Cal No.: FS20
△	Unit	8 / 1	Parts No.:
△	Scale	Date	Name
△	Drawn	M. Fukuda	
△	Date	Name	
△	Description	Approved	
△	Alterations	Frame for Cas	
△	Material	Drawing No.: FS20C000	
△	Heat Treatment		
△	Hardness		
△	Plating		



This drawing is provisional and subject to our reconfirmation and/or revision without notice.

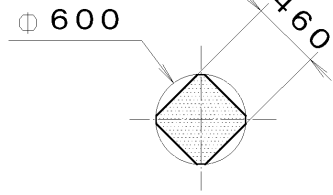


\*\*\* T I P W (01) \*\*\* (2100 1121) 03-02-14 30.0

7		Quantity		Cal. No. :	FS20-00A	
6		Unit	1/1000 mm	Parts:		
5		Scale	6:1	Name:	Indications for Dial	
4		Date		Drawing No. :		FS20D000
3		Drawn				
2		Checked	M. Fukuda			
1		Approved				
Material				General Tolerances		
Heat Treatment				Dimensions		
Hardness				Angles		
Plating						

This drawing is provisional and subject to our reconfirmation and/or revision without notice.

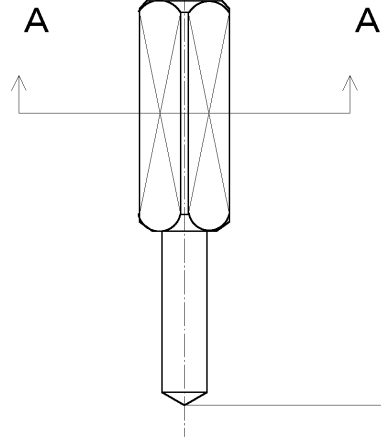
\*\*\* T I P W 065-549 (01) \*\*\* (2100 1121) 01-12-07



Section A-A

S0. 9, P=0. 225mm

⌀ 1000



<table border="1"> <tr><td>7</td><td></td></tr> <tr><td>6</td><td></td></tr> <tr><td>5</td><td></td></tr> <tr><td>4</td><td></td></tr> <tr><td>3</td><td></td></tr> <tr><td>2</td><td></td></tr> <tr><td>1</td><td></td></tr> </table>		7		6		5		4		3		2		1		Quantity		Cal. No. :	
7																			
6																			
5																			
4																			
3																			
2																			
1																			
Material		Unit	1/1000 mm	Parts:	065-549														
Heat Treatment		Scale	20:1																
Hardness		Date		Name:	SETTING STEM														
Plating		Drawn		Drawing No. :	5490S000														
		Checked	T. Hiruta	<b>CITIZEN</b> WATCH CO., LTD. TOKYO, JAPAN															
		Approved																	
		General Tolerances																	
		Dimensions																	
		Angles																	